



757.737.9090  
PARTYPEOPLEVA.COM  
PARTYPEOPLEVA@GMAIL.COM

## OPERATION INSTRUCTIONS

### Lighting Instruction

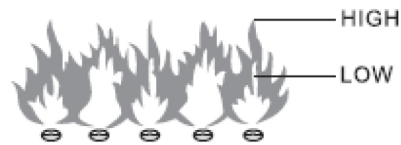
1. Ensure that the LP gas tank valve is OFF.
2. Push the control knob in, turn to **OFF**, and wait 5 minutes for any gas to clear.
3. Turn the LP tank valve ON.
4. Push control knob in and rotate to **PUSH**. Then push the igniter button and control knob and repeat until the burner lights and hold control knob in for 30 seconds and then release. If the burner fails to remain lit or becomes extinguished, repeat step 4 before attempting to relight.
5. Turn the control knob from **LOW** to **HIGH** to the desired heat setting.

### Note:

Visually check the burner flame against the illustrations below:

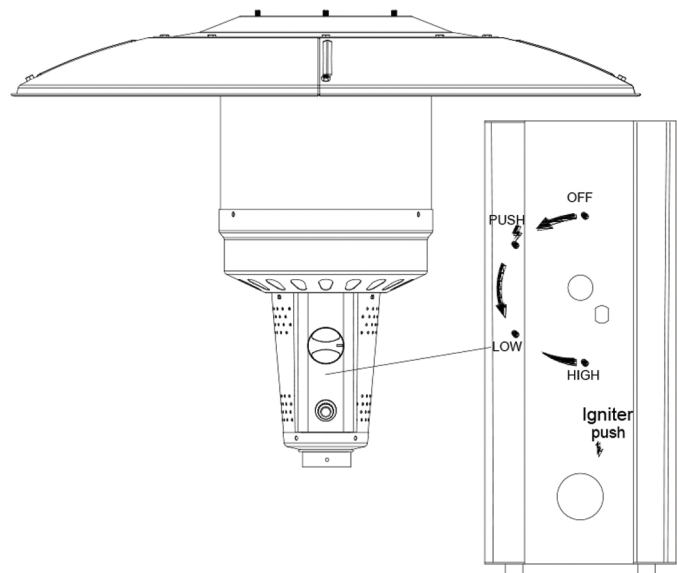
Flame should be blue with slight yellow tips.

You should see a smaller flame in LOW position than seen on HIGH. Perform flame check prior to each use. If only low flame is seen, refer to "Burner flame is low" in the "TROUBLESHOOTING" on page 16.



### For complete shutdown

1. Please turn the knob to **PUSH** first, then push and turn to **OFF** for complete shut off.
2. Turn the LP gas tank valve OFF before removing the LP gas tank.



5773 ARROWHEAD DR. STE 308  
VIRGINIA BEACH, VA 23462

*WE RENT FUN, WE JUST HAPPEN TO BRING EQUIPMENT!!*

